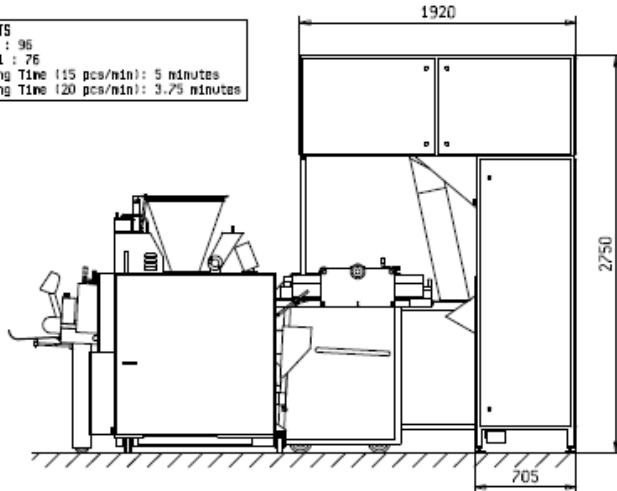
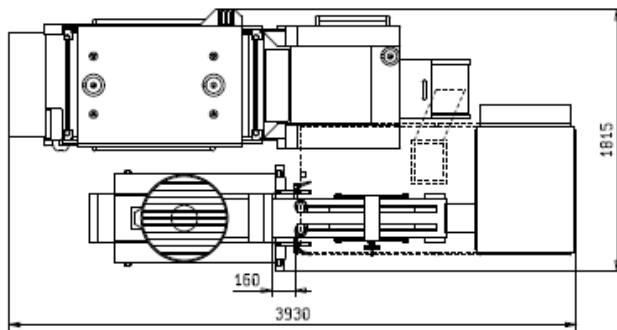
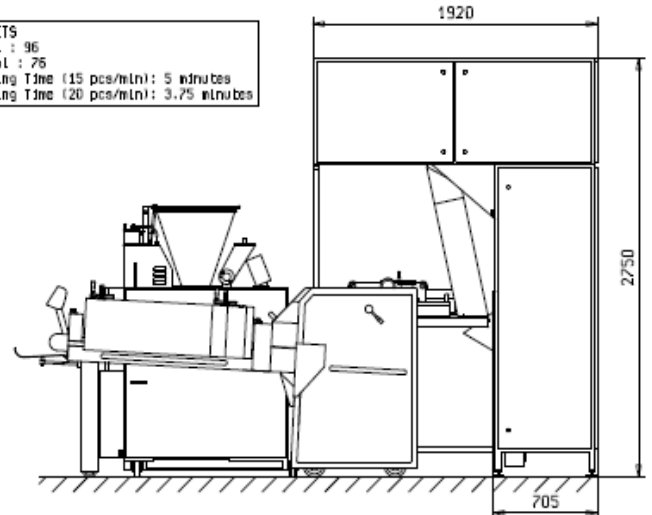


PIETROBERTO BREAD PLANT WITH 96 POCKET PROVER

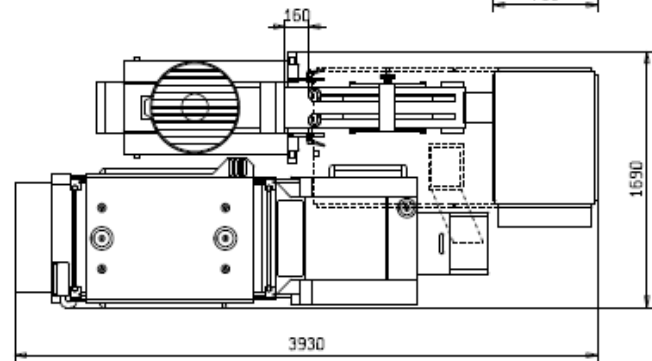
POCKETS
Total : 96
Useful : 76
Resting Time (15 pcs/min): 5 minutes
Resting Time (20 pcs/min): 3.75 minutes



POCKETS
Total : 96
Useful : 76
Resting Time (15 pcs/min): 5 minutes
Resting Time (20 pcs/min): 3.75 minutes



Overall dims of plant with prover chute to left



Overall dims of plant with prover chute to right

Consisting of the following:

V10 piston type volumetric divider

- Painted finish
- 50kg Teflon coated hopper
- Divider stop dough piece counter
- Single synthetic outfeed belt
- Dough pieces 160g to 1200g
- Pieces per minute 14 to 37
- Mounted on castors
- Dims: L 1680mm x D 614mm x H 1790mm
- Weight: 570kg

Intermediate prover with 96 pockets

- Painted finish
- 96 pockets made of food plastic material, easily detachable
- Useful pockets 76
- Resting time (15pcs/min) 5 minutes (20 pce/min) 3.75 minutes
- Maximum prove time is set by the divider cutting speed to the infeed rate
- Discharge chute releases the pieces automatically to the next machine in line
- Synthetic infeed, conveyor and moulding belt
- Handle to adjust the sheeting rollers
- Top moulding plate with fully adjustable height
- Mounted on castors
- Dims: L 1920mm x D 1335mm x H 2750mm
- Weight: 690kg

Overall electric supply: 3 phase + N + E - 16amp

F71 long loaf moulder

- Painted finish
- Motorized moulding unit
- Can produce loaves up to a length of 710mm
- Weight range: 70g to 1300g
- Adjustable side guides restricting length of loaves
- Synthetic infeed, conveyor and moulding belt
- Handle to adjust the sheeting rollers
- Top moulding plate with fully adjustable height
- Mounted on castors
- Dims: L 3195mm x D 1035mm x H 1308mm
- Weight: 620kg



Call now on: 0845 130 1999

Fax: 01924 420087 Email: info@norbake.co.uk Web: www.norbake.co.uk
Norbake Services Ltd, Unit 1, Lady Ann Business Park, Lady Ann Road,
Batley, West Yorkshire, WF17 0PS