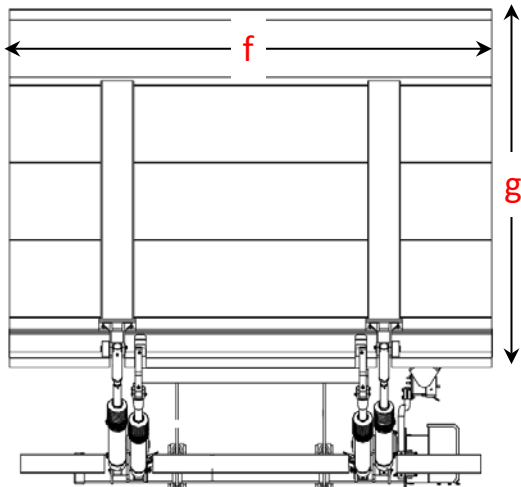

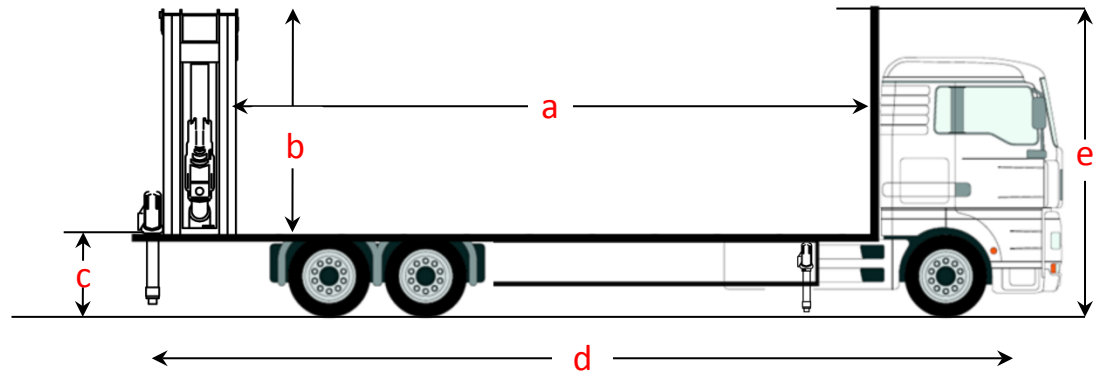
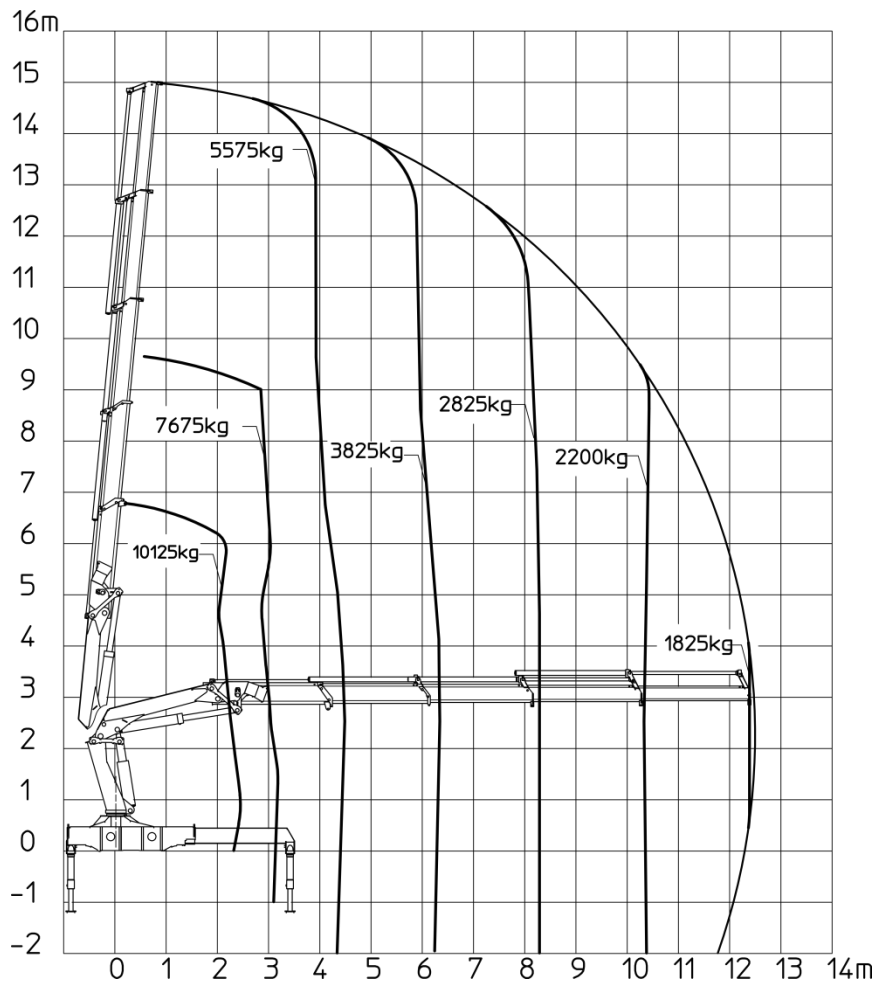


	Wagon	
A	9040	29' 8"
B	2572	8' 5"
C	1313	4' 4"
D	11481	37' 8"
E	3885	12' 9"
F	2400	7' 11"
G	2500	8' 3"

Load Details	Wagon	
Max Weights	8000kg	-----
Max Length	9040	29' 7"
Max Width	2400	7' 10"
Max Height	2500	8' 2"



	Tail Lift	Anteo	Date	16/02/2015
	Vehicle	MAN-TL	Drawing	CAD-MAN-TL

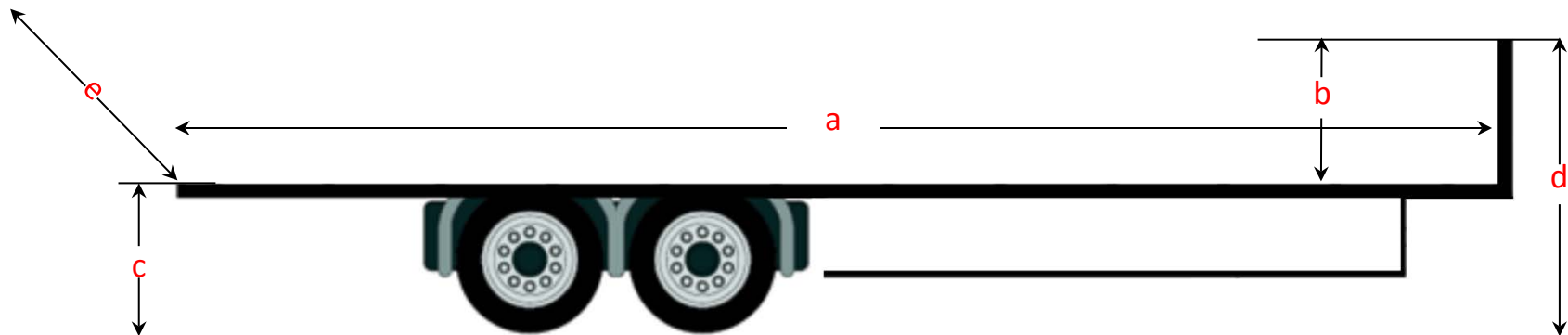


	Wagon	
A	6287	20' 7"
B	2356	7' 9"
C	1344	4' 5"
D	0000	0' 0"
E	3700	12' 2"

Load Details	Wagon	
Max Weights	13000kg	-----
Max Length	6287	20' 7"
Max Width	2400	7' 10"
Max Height	3500	11' 5"

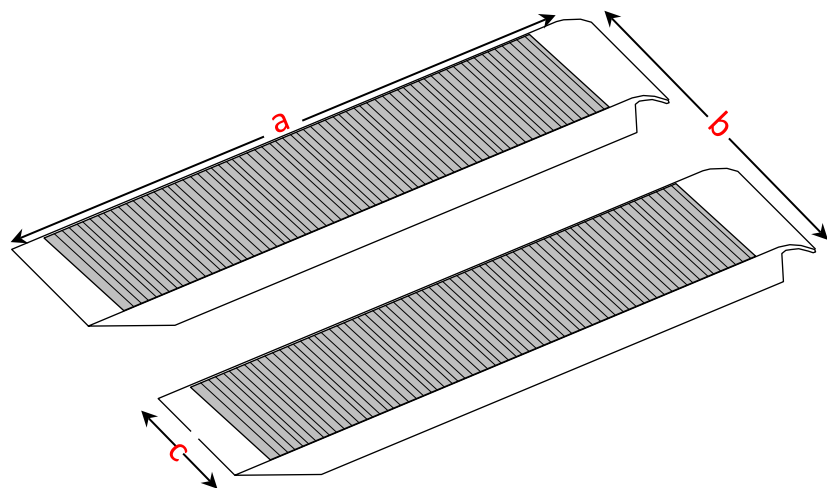
Trailer combination also available. See separate data sheet for trailer information. Total weight of load on trailer and wagon combined not to exceed 21500kg.

	Crane	HMF 2823 K4 (B3)	Date	16/02/2015
	Vehicle	MAN-TGS 6x2	Drawing	CAD-MAN-TGS



Trailer		
A	6865	22' 6"
B	415	1' 4"
C	935	3' 1"
D	1350	4' 5"
E	1800	5' 11"


Load Details	Trailer	
Max Weights	8500kg	-----
Max Length	7000	22' 12"
Max Width	2200	7' 3"
Max Height	4015	13' 2"

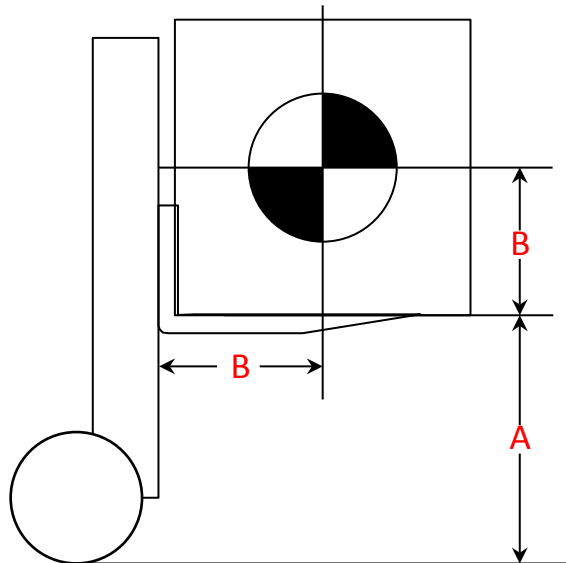
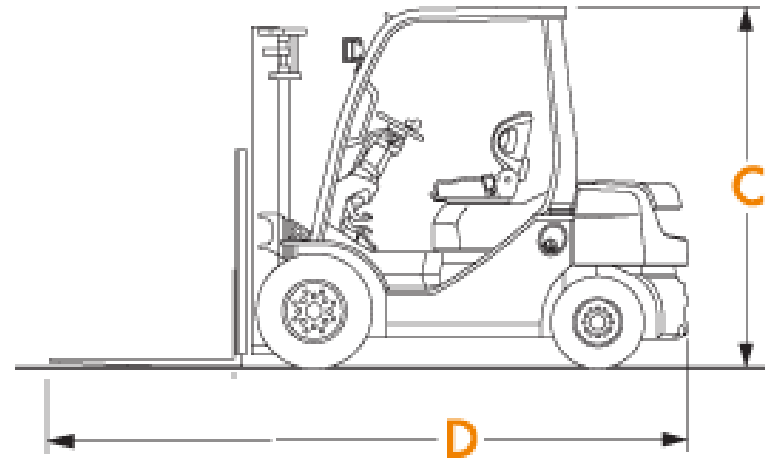
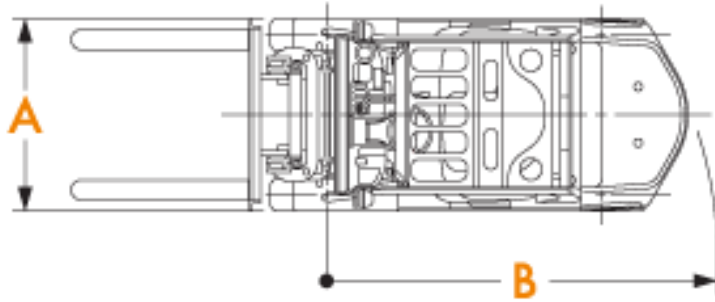


Ramp		
A	2500	22' 6"
B	1800	1' 4"
C	460	3' 1"

Load Details	Ramp	
Max Weights	10000kg	-----
Min Track Width	350	22' 12"
Max Ramp Spread	1800	7' 3"


Trailer combination see separate data sheet for wagon information. Total weight of load on trailer and wagon combined not to exceed 21500kg.

	Trailer	Chieftain	Date	16/02/2015
	Vehicle	Trailer Combination to MAN-TGS 6x2	Drawing	CAD-DB01-RAMP



Forklift		
A	1450	4' 9"
B	2700	8' 10"
C	2285	7' 6"
D	3065	10' 1"

	A	B	Capacity
mm	3000	600	3821kg
mm	3000	1000	2841kg
mm	3000	1300	2383kg
Rated Capacity 4500kg			

	Forklift	Toyota	Date	16/02/2015
	Model	02-7FG40	Drawing	CAD-TOYO-02-7FG40